

1:12 Scale Miniature

# Rustic Garden Bench Plans



## **Safety First!**

Always be sure to wear safety glasses and protect your lungs with a dust mask or respirator when cutting and sanding wood. Follow all manufacturer's safety instructions that come with your tools. Read all manufacturer's instructions and warnings that come with the product when using paints, stains, and adhesives.

**By using these plans, you are agreeing to do so at your own risk.**

TinyCrafter.com is not responsible for any damages that may occur from building something from our plans.

**This plan is for personal use only.**

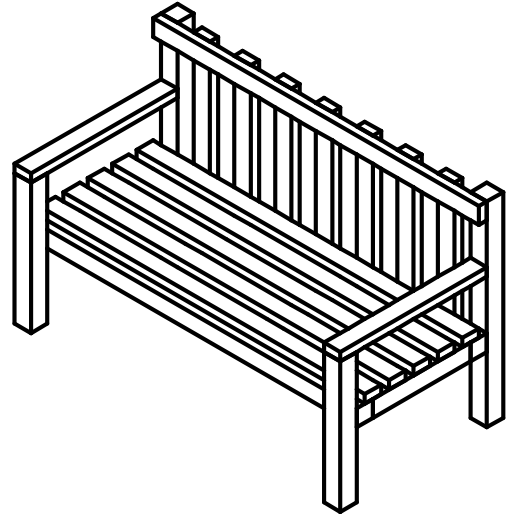
This set of plans are copyright © 2021 TinyCrafter.com. As the intellectual property of TinyCrafter.com they may not be duplicated or sold.

## 1:12 Scale Miniature Rustic Garden Bench Plans

### Supplies & Materials

---

- 1 Wooden Dowel Rod, 1/4" x 36"
- 9-10 skinny sticks/coffee stirrers 1/4" x 5.5"
- Miniature Saw
- Tin Snips or Wire Cutters
- Ruler & Pencil
- Wood Glue or Tacky Glue
- Clamps
- Wax Paper
- Acrylic Craft Paints



### Cut List

---

- 2 pieces of 1/4" dowel: 5" length **SEAT BASE**
- 4 pieces 1/4" dowel: 1 1/2" length **SEAT BASE**
- 2 pieces 1/4" dowel: 2" length **FRONT LEGS**
- 2 pieces 1/4" dowel: 3" length **BACK LEGS**
- 5 pieces skinny sticks: 5" length **SEAT SLATS**
- 2 pieces skinny sticks: 2 1/4" length **ARMS**
- 7 pieces skinny sticks: 1 5/8" length **BACK SLATS**
- 1 piece skinny stick 5" length **TOP RAIL**

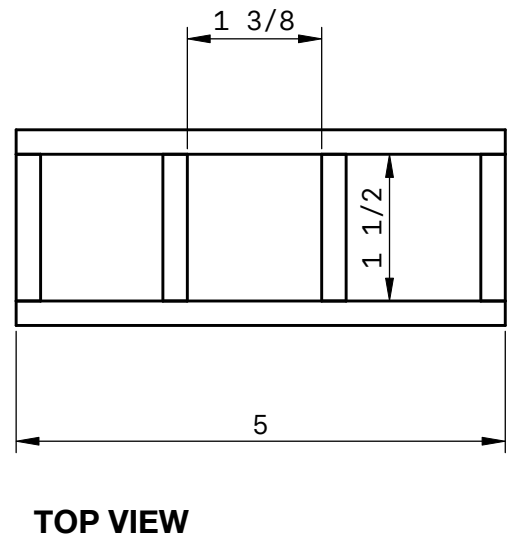
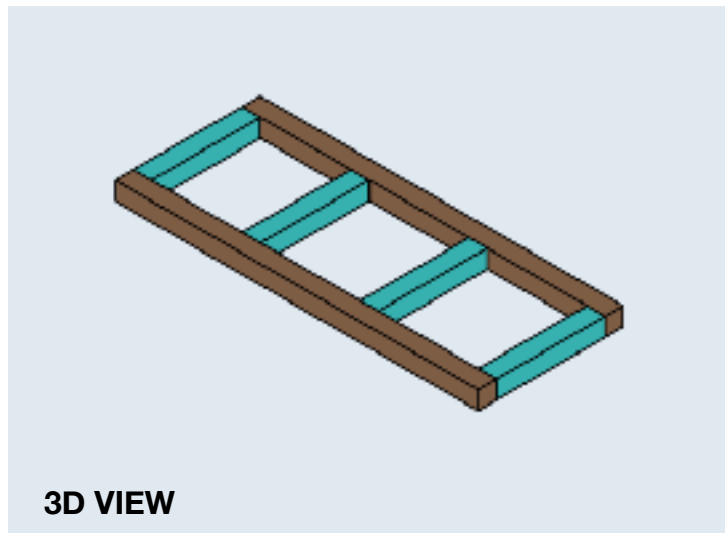
## 1:12 Scale Miniature Rustic Garden Bench Plans

### Step 1: Build the Seat Base

---

Cut 2 pieces of 1/4" square dowel rod to be 5" long and 4 pieces of 1/4" square dowel rod to be 1 1/2" long.

Assemble the pieces as shown in the diagram to form the base of the seat. The vertical inner pieces should be spaced evenly, approximately 1 1/4" - 1 3/8" apart.



Glue all pieces in place and clamp. Wait for glue to dry before moving to the next step.

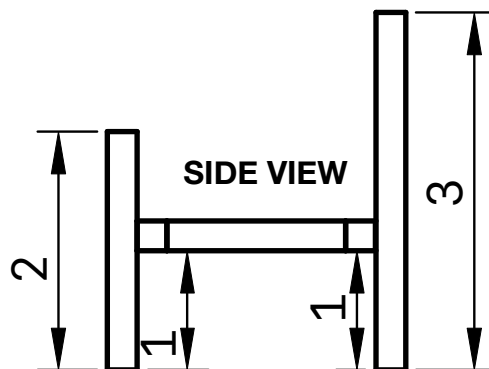
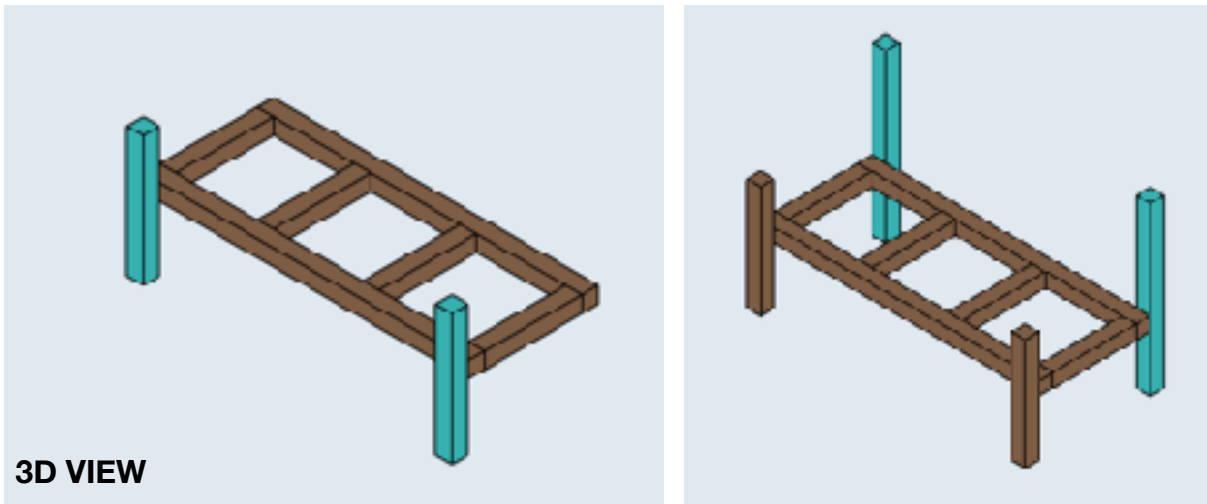
## 1:12 Scale Miniature Rustic Garden Bench Plans

### Step 2: Attach the Front and Back Legs

---

Cut 2 pieces of 1/4" square dowel rod to be 2" long for the front legs and 2 pieces of 1/4" square dowel rod to be 3" long for the back legs.

Assemble the pieces as shown in the diagram to attach the legs to the base of the seat. The seat should be glued about 1" from the bottom of the legs.



Glue all pieces in place and clamp. Wait for glue to dry before moving to the next step.

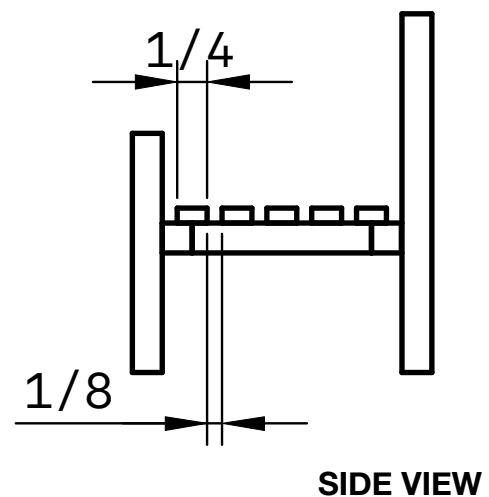
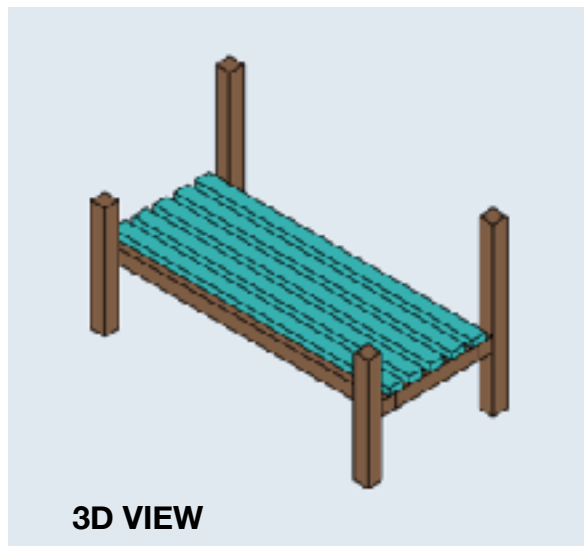
## 1:12 Scale Miniature Rustic Garden Bench Plans

### Step 3: Attach the Slats to the Seats

---

Cut 5 pieces 5" long from "skinny sticks" or wood coffee stirrers that are 1/4" wide to use as the slats for the top of the garden bench seat.

Build the top of the seat by arranging the 5 pieces horizontally across the base of the seat, spacing each slat approximately 1/8" apart.



Glue all pieces in place and clamp. Wait for glue to dry before moving to the next step.

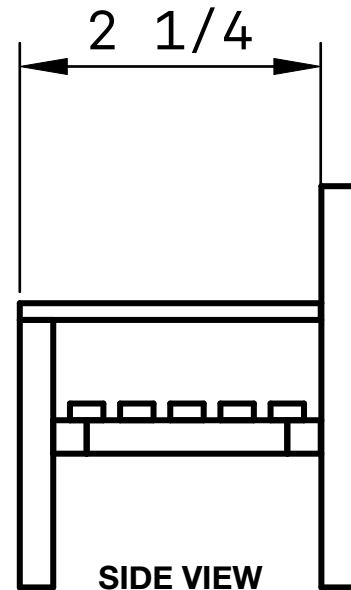
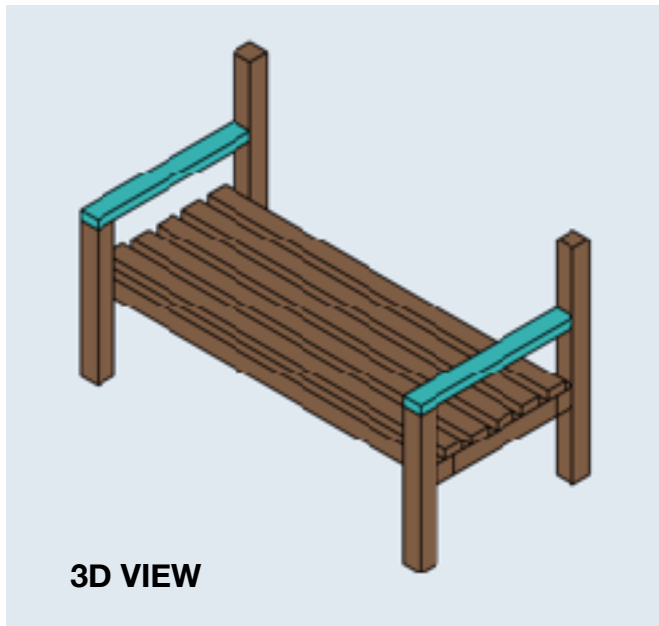
## 1:12 Scale Miniature Rustic Garden Bench Plans

### Step 4: Attach the Arms of the Garden Bench

---

Cut 2 pieces  $2\frac{1}{4}$ " long from "skinny sticks" or wood coffee stirrers to use as the arms of the miniature garden bench seat.

Glue each arm on top of the front leg and where it meets on the back leg, approximately  $1\frac{3}{4}$ " from the top of the seat base.



Glue all pieces in place and clamp or tape to hold in place. Wait for glue to dry before moving to the next step.

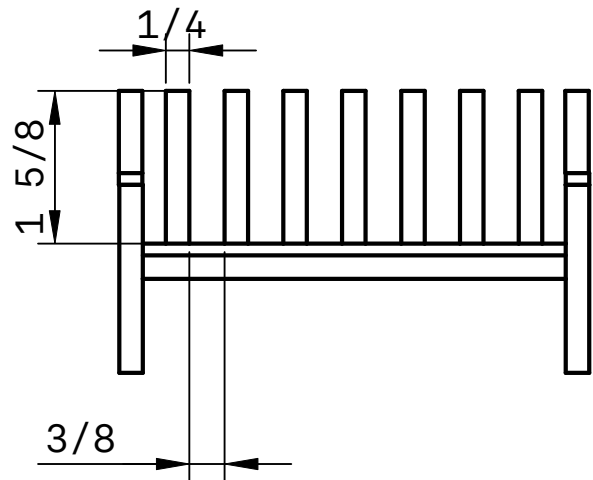
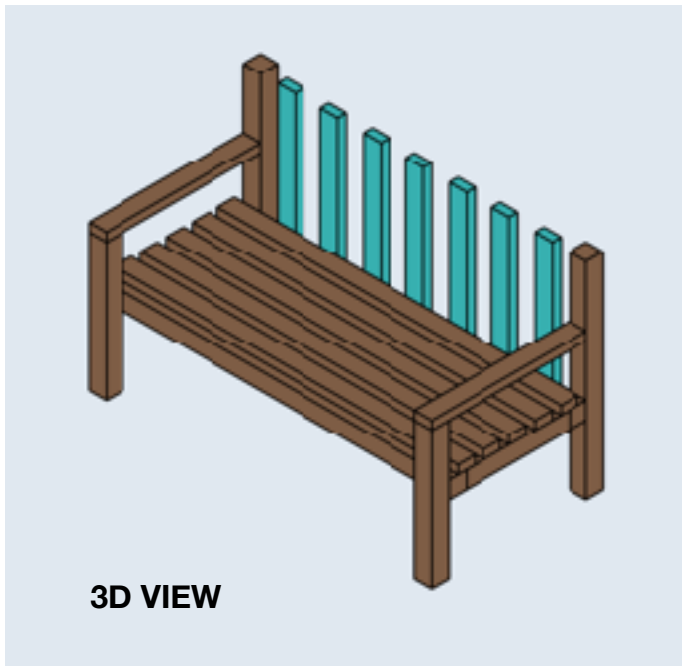
## 1:12 Scale Miniature Rustic Garden Bench Plans

### Step 5: Attach the Wood Slats to the Back of the Bench

---

Cut 7 pieces  $1 \frac{5}{8}$ " long from "skinny sticks" or wood coffee stirrers to use as the back slats of the miniature garden bench seat.

Glue each slat on the back of the edge of the seat, spacing each one approximately  $\frac{3}{8}$ " inch apart.



Glue all pieces in place and clamp. Wait for glue to dry before moving to the next step.



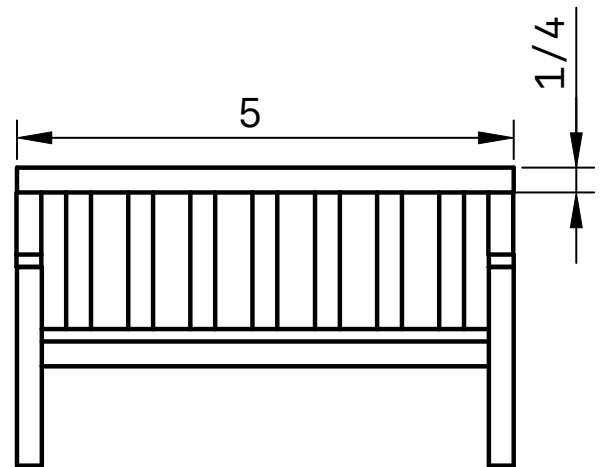
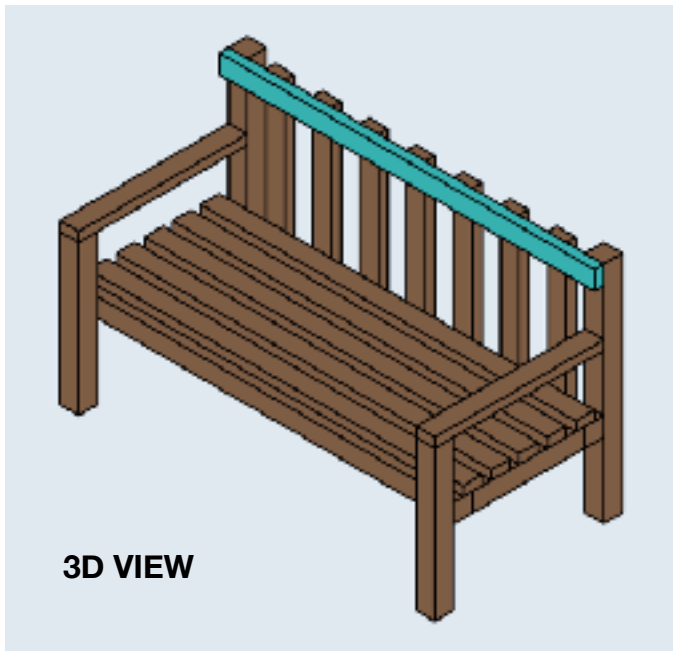
## 1:12 Scale Miniature Rustic Garden Bench Plans

### Step 6: Attach Top Rail

---

Cut 1 piece 5" long from "skinny sticks" or wood coffee stirrers for the top rail of the garden bench.

**Easy Version (Shown Below):** Glue the top rail on the front top of the back legs and the front top of each slat forming the back of the seat.

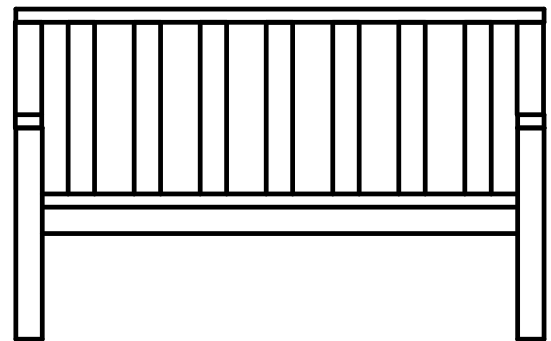
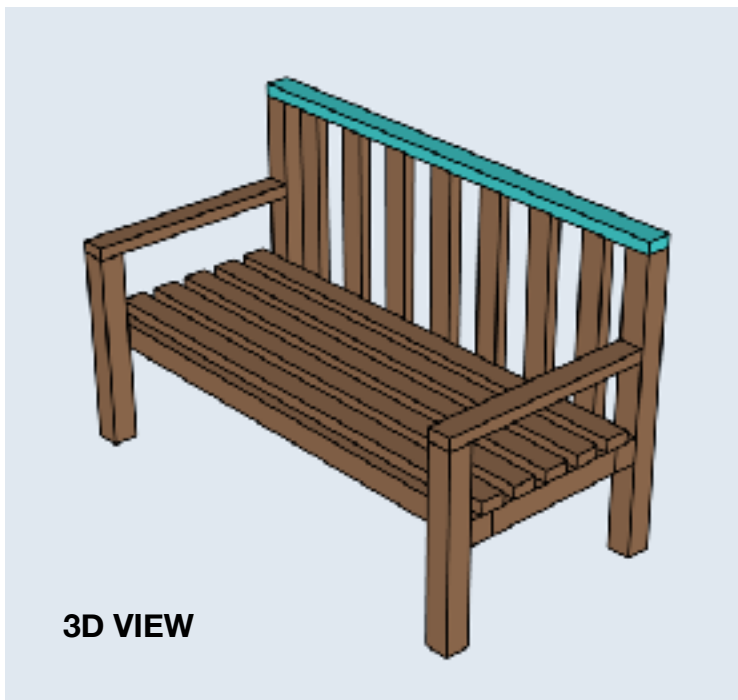


## 1:12 Scale Miniature Rustic Garden Bench Plans

### Step 6: Attach Top Rail (Continued)

---

**Advanced Version (Shown Below):** Place the top rail on top of the back legs and back slats and glue in place. This requires all measurements and cuts to be precise and consistent in order for it to properly “sit” on the slats and back legs.



Glue in place and clamp together. Wait for glue to dry before moving to the next step.

## 1:12 Scale Miniature Rustic Garden Bench Plans

### Step 7: Paint/Stain and Finishing Touches

---

To make your garden bench have an aged, weathered look, I recommend painting multiple layers of different colors using acrylic craft paints in black, brown, teal, copper, gray and white. Use a dry brush stroke and work in layers until the desired effect is achieved.



You can watch my video on how I painted my rustic bench here:

<https://youtu.be/499plAmSG18>

Of course, you can paint and stain your bench any way you like! Go with fun and funky bright colors or choose a neutral white, gray, black or forest green.

## Connect With Us!

---

If you enjoyed these plans, the best way you can thank us - and stay updated of new plans to come is to connect with us on social media!

[Subscribe to TinyCrafter on YouTube](#)

[Follow Us on Pinterest](#)

[Follow Us on Facebook](#)

[Join Our Facebook Group](#)

## Questions? Want to Show Off Your Work?

---

I always LOVE seeing what everyone makes with our plans. If you've built something inspired by a TinyCrafter tutorial or using one of our plans, please do send me an email or share it in our [Facebook Community Group](#)!

And of course if you run into any technical issues or have questions, I'm happy to try and help the best I can.

You can reach me anytime at [hello@tinycrafter.com](mailto:hello@tinycrafter.com).